

FIG. 1

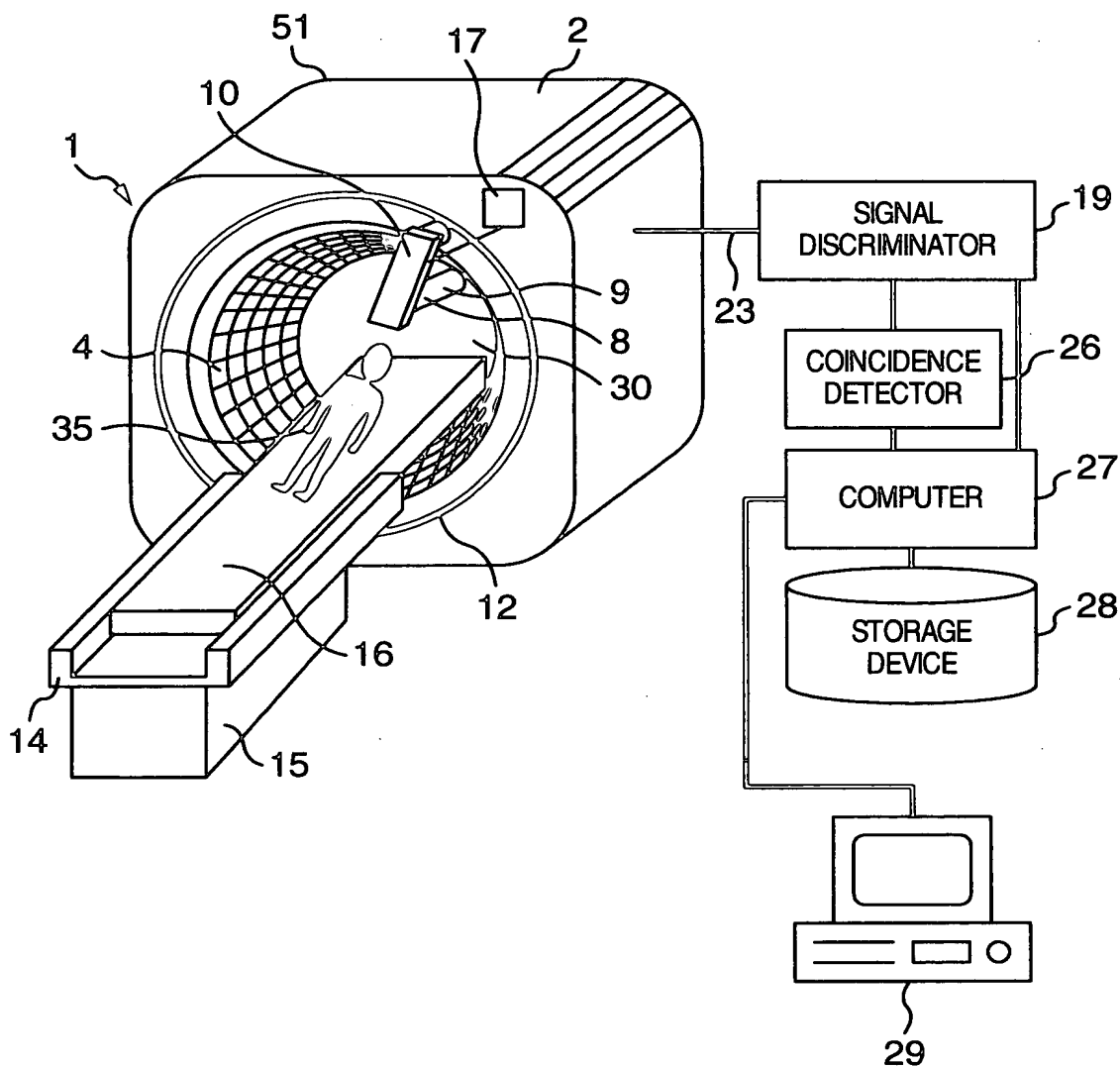


FIG. 2

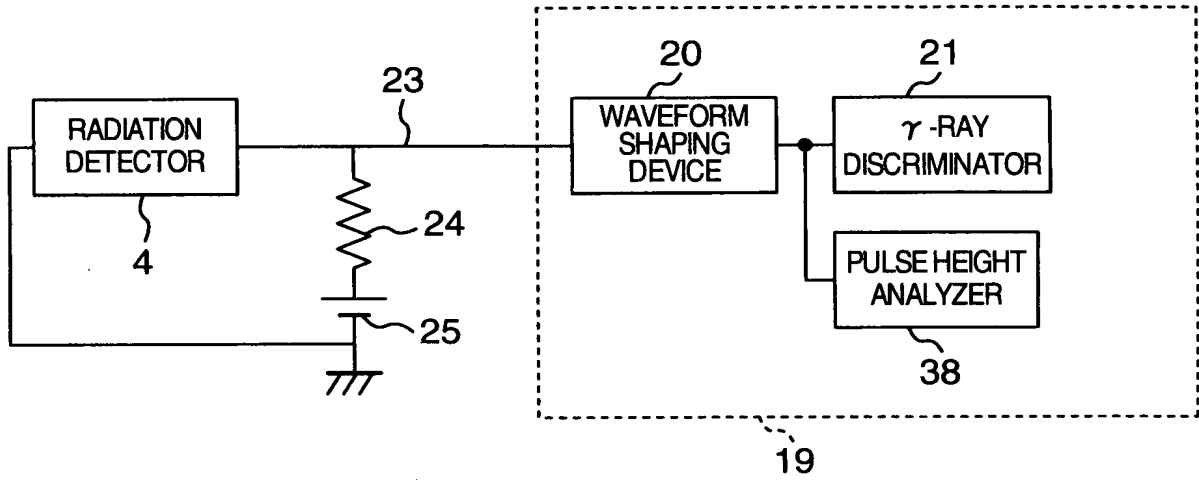


FIG. 3

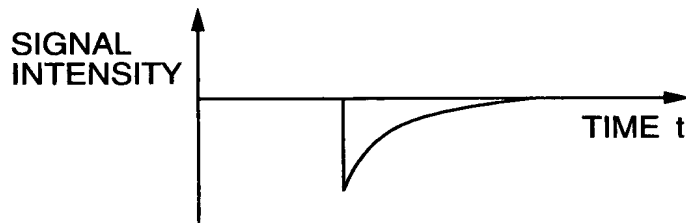
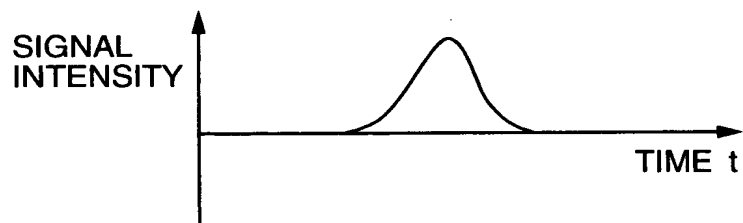


FIG. 4



3/20

FIG. 5

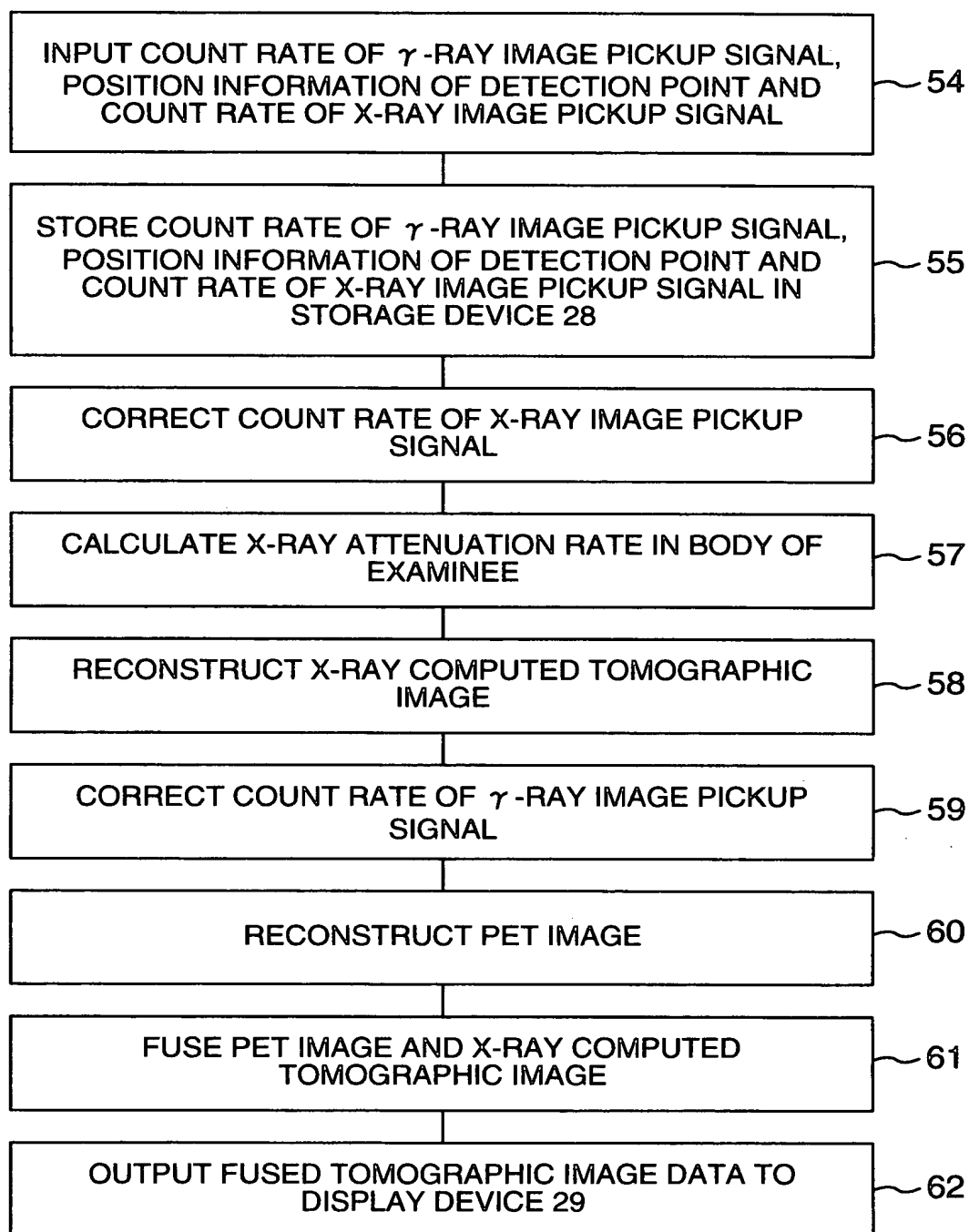


FIG. 6

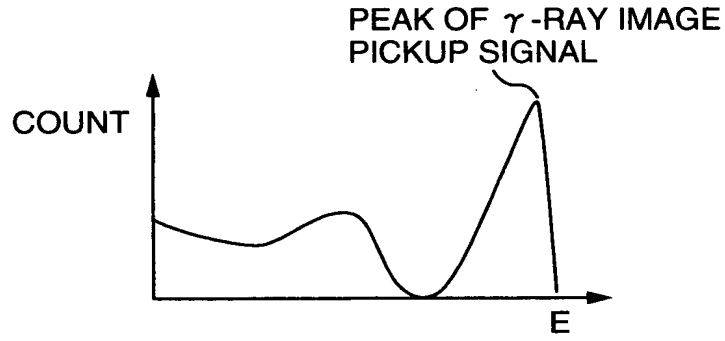


FIG. 7

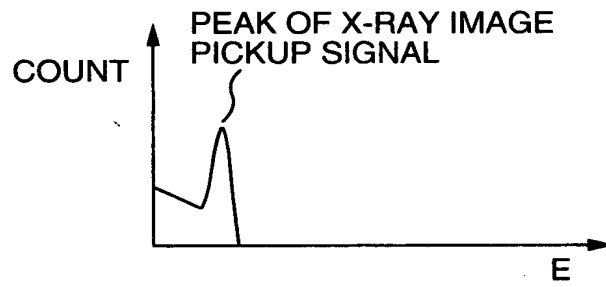


FIG. 8

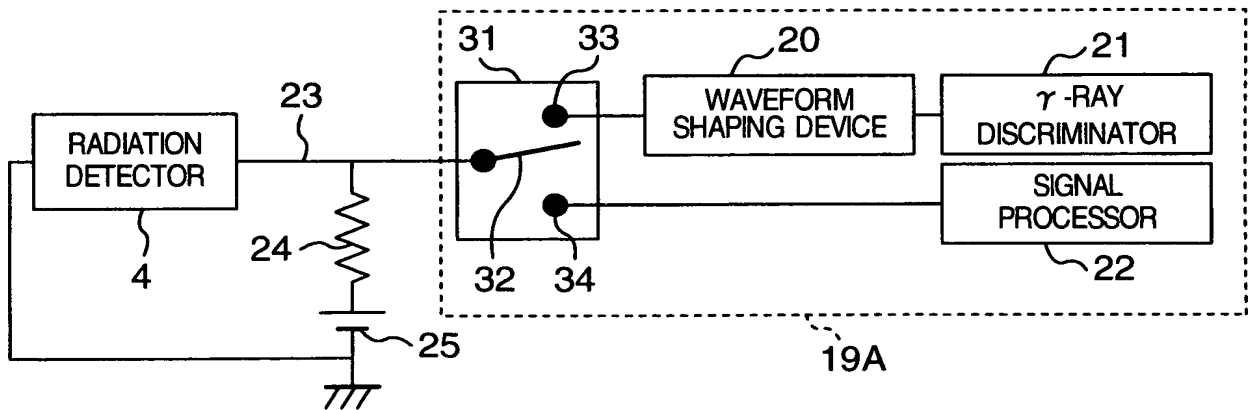


FIG. 9A

RADIATION DETECTOR
TIME WINDOW

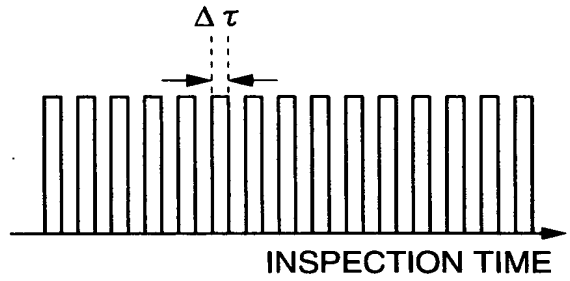


FIG. 9B

DETECTION SIGNAL OF
RADIATION DETECTOR

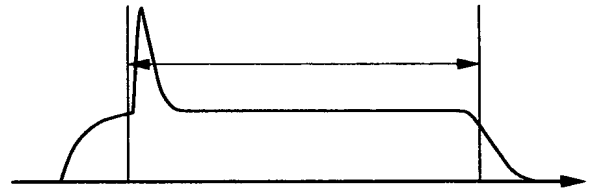


FIG. 9C

γ -RAY IMAGE PICKUP
SIGNAL



FIG. 9D

X-RAY IMAGE PICKUP
SIGNAL

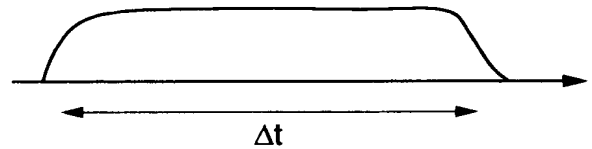


FIG. 10

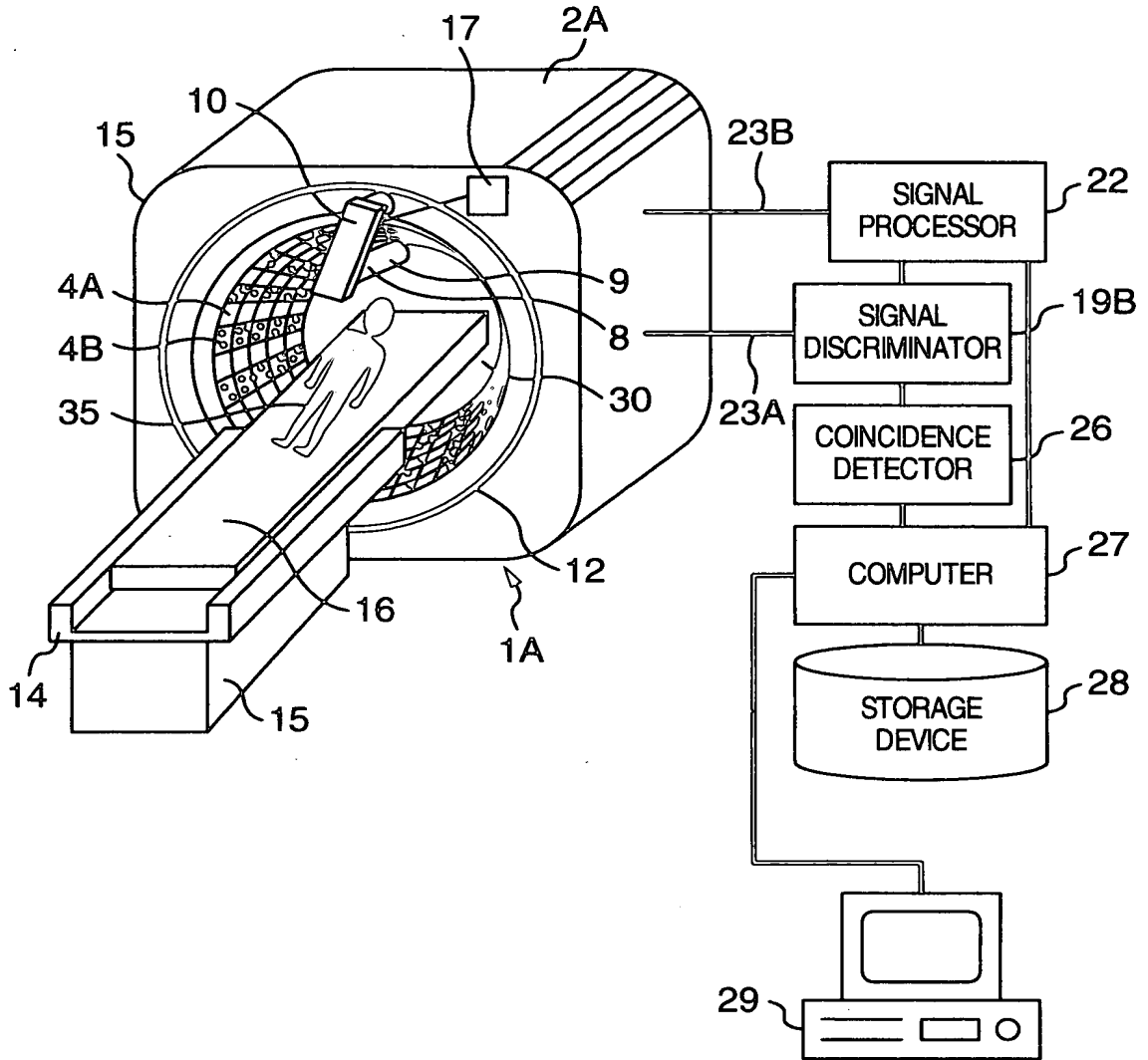


FIG. 11

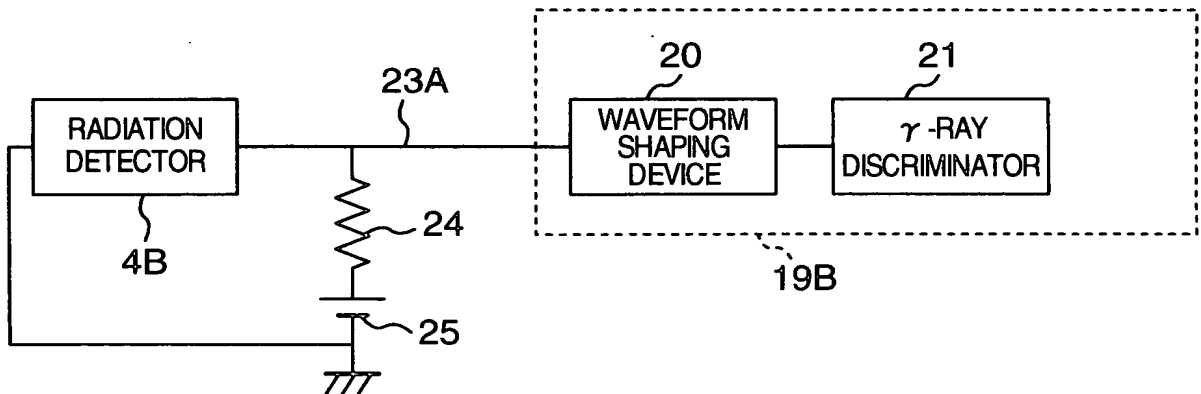
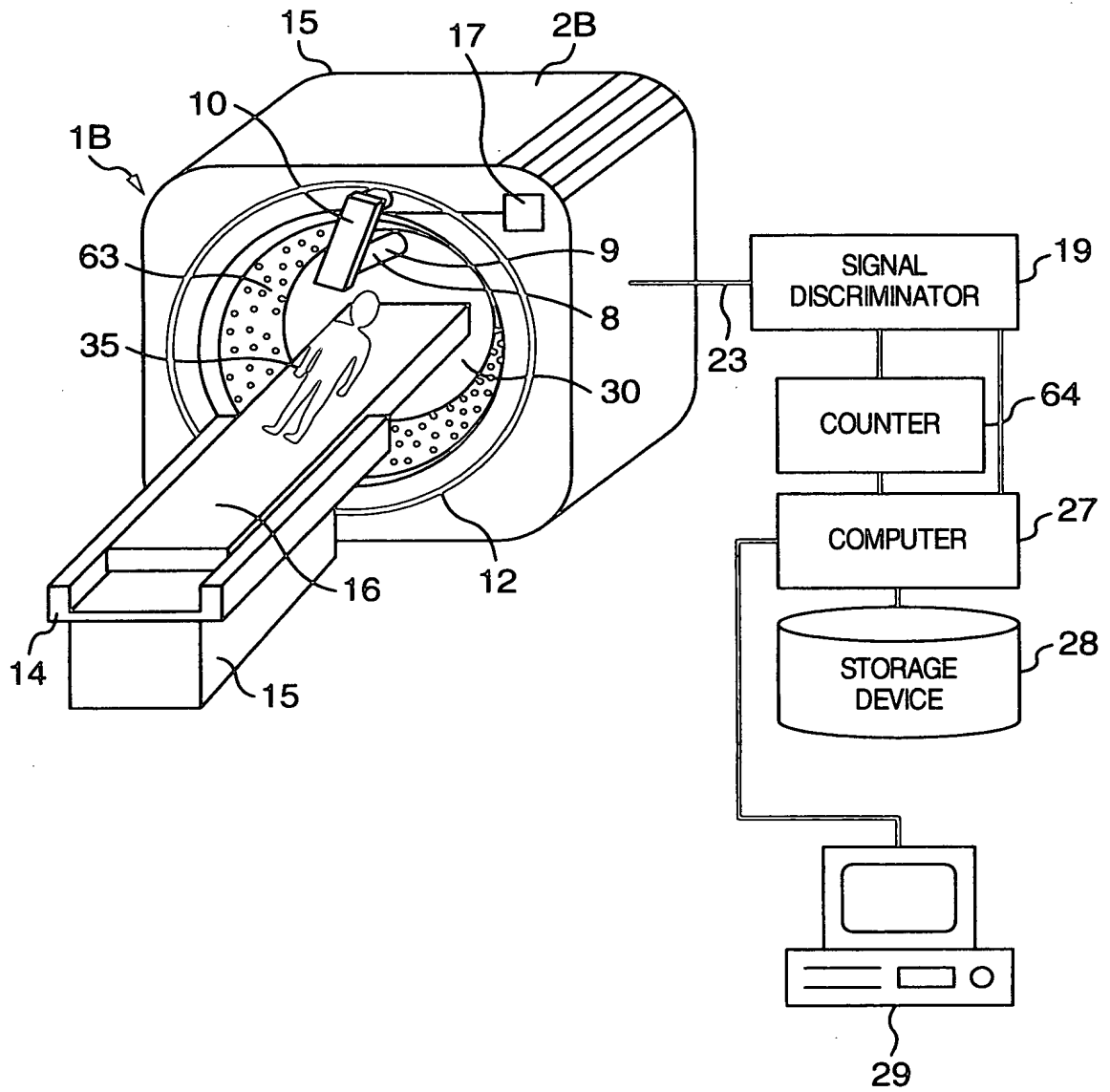


FIG. 12



8/20

FIG. 13

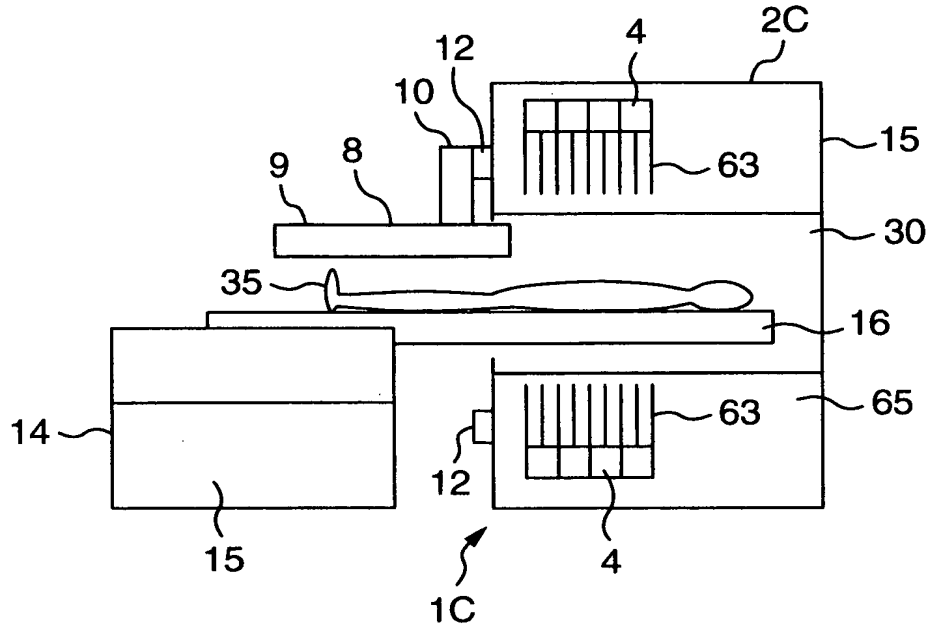


FIG. 14

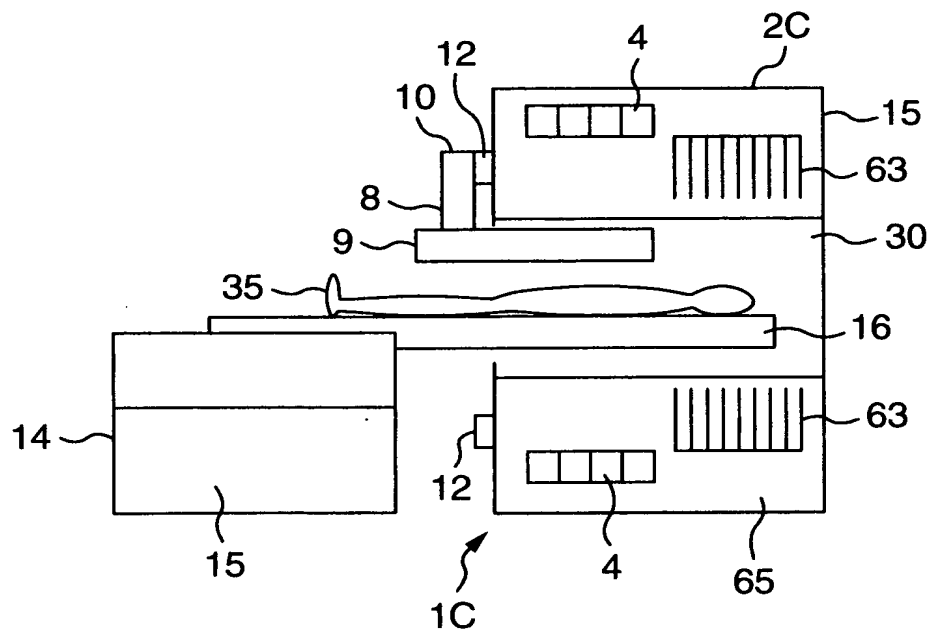


FIG. 15

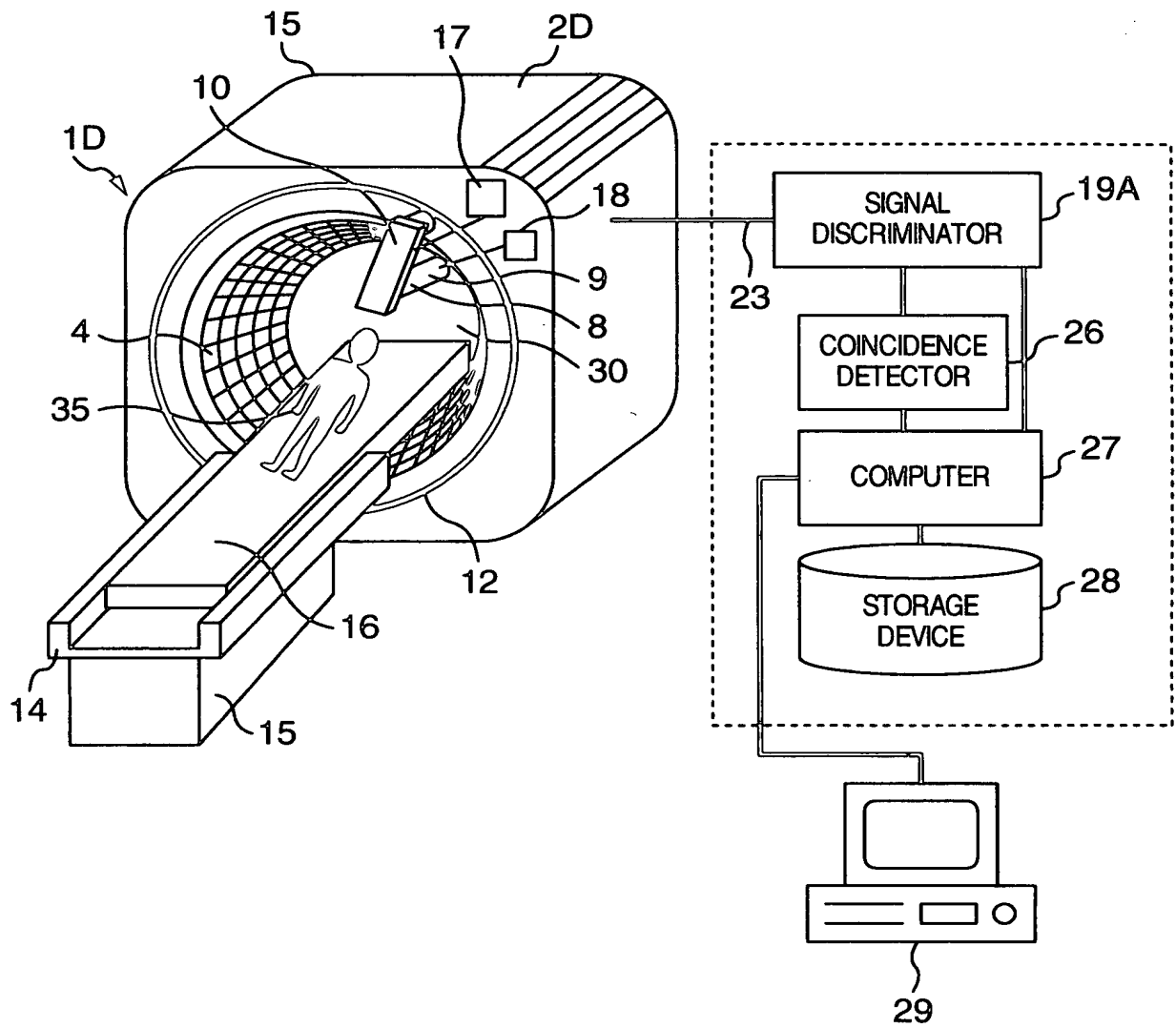
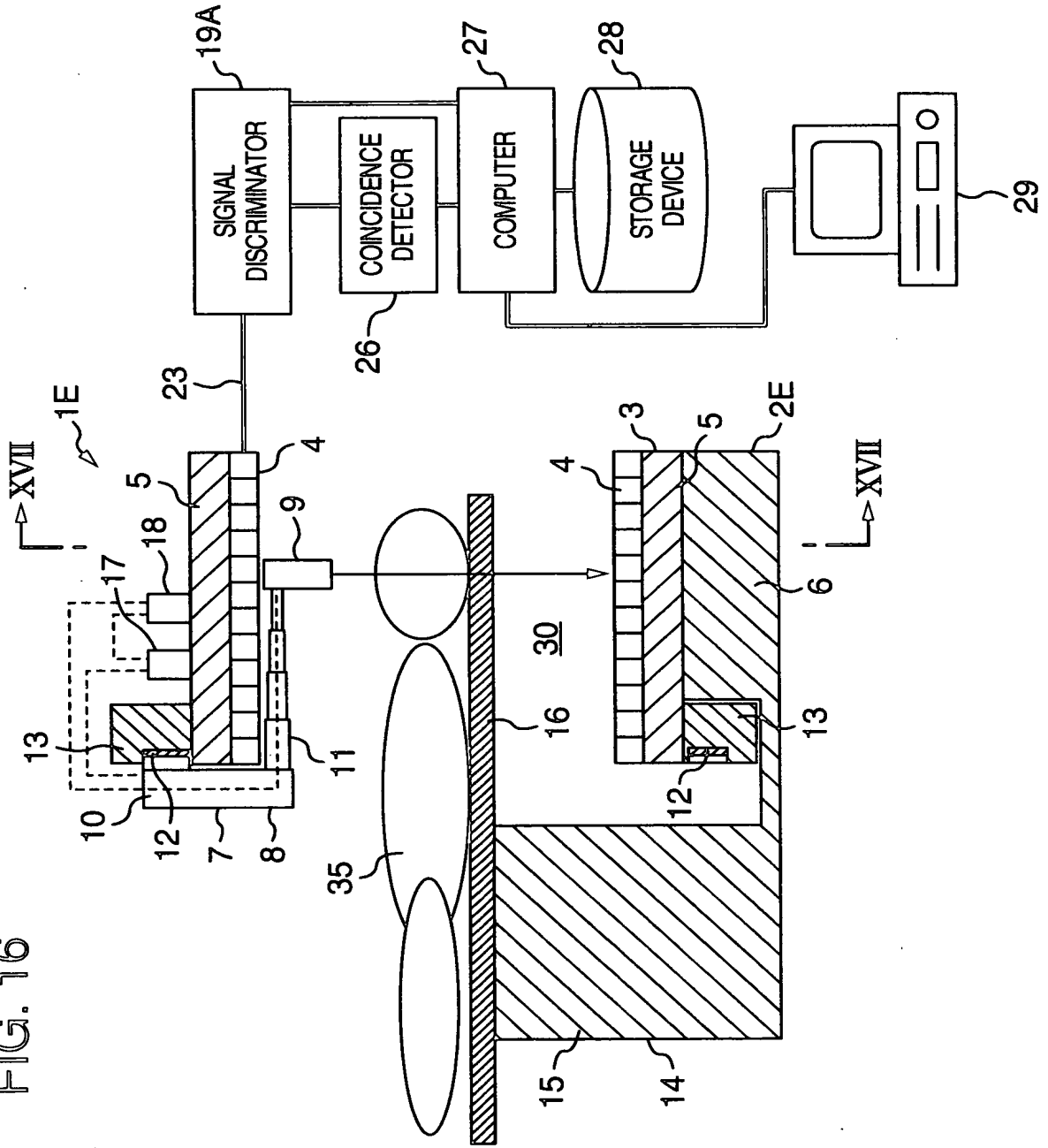
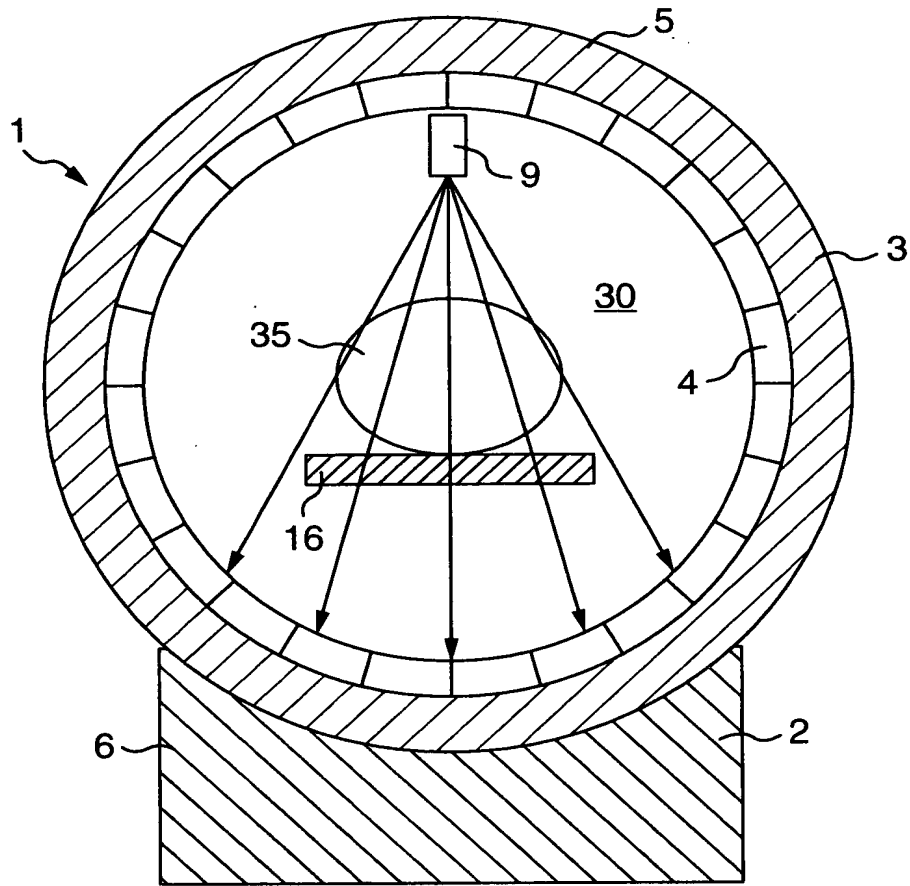


FIG. 16



11/20

FIG. 17



12/20

FIG. 18

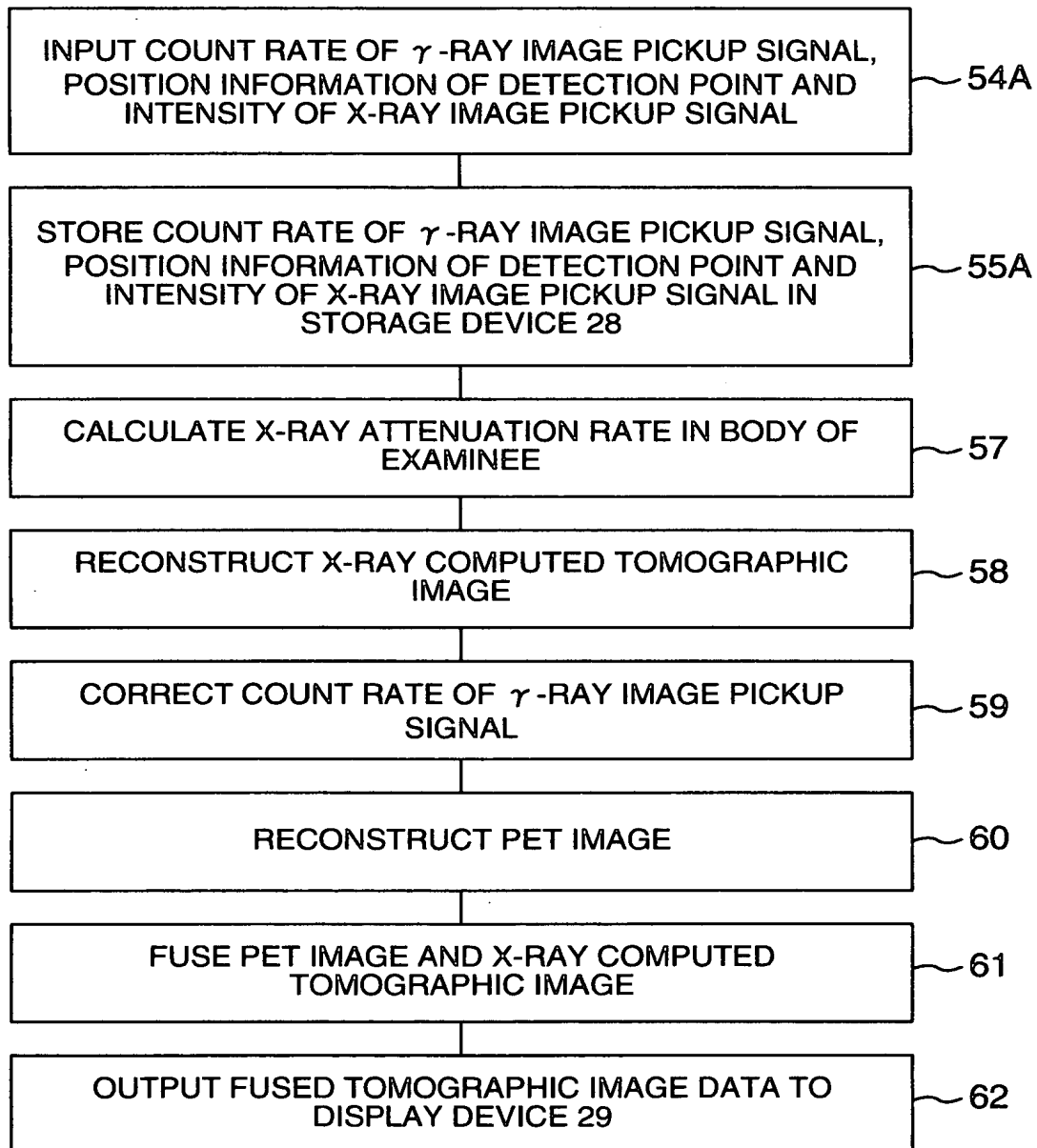


FIG. 19

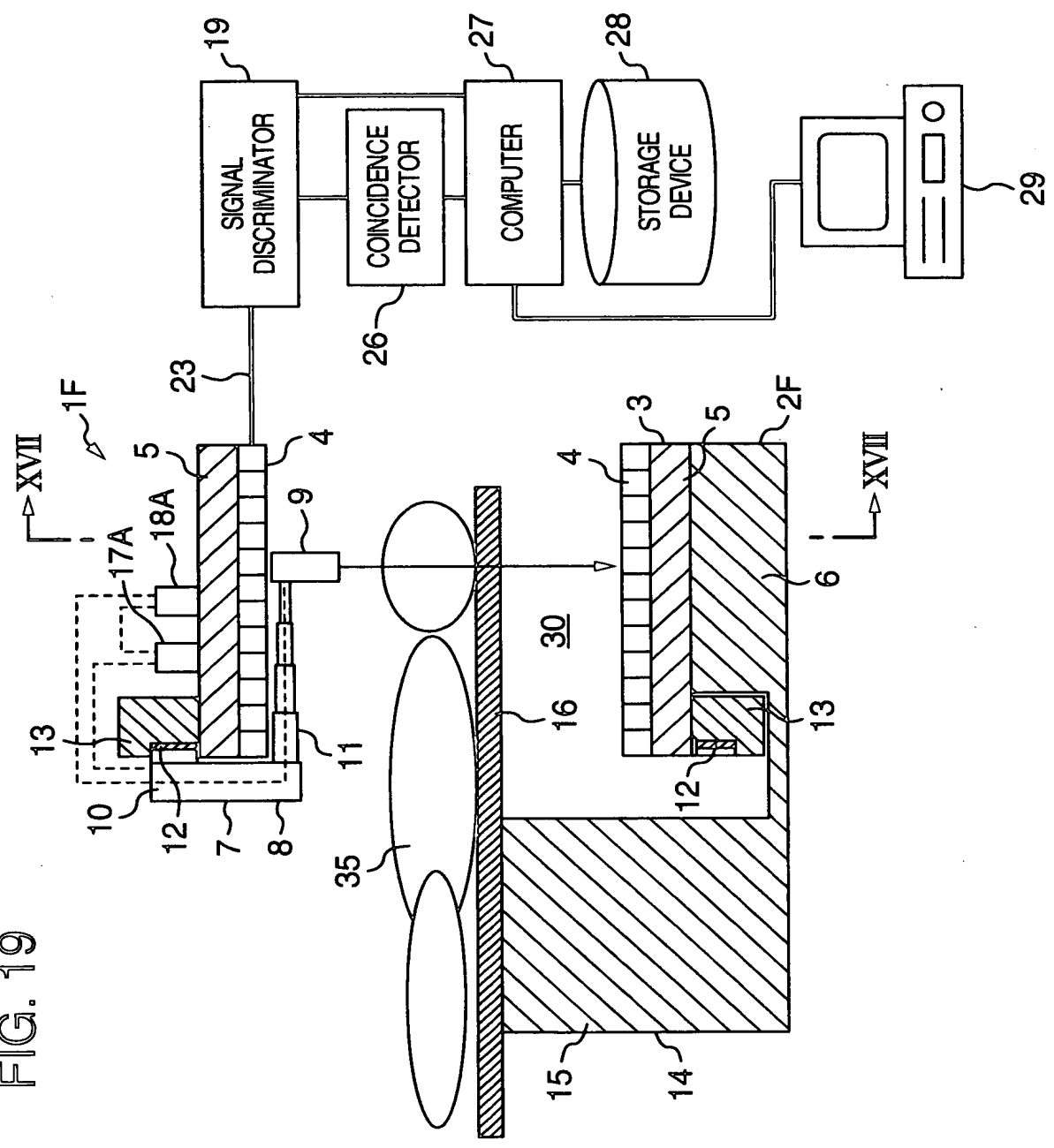


FIG. 20

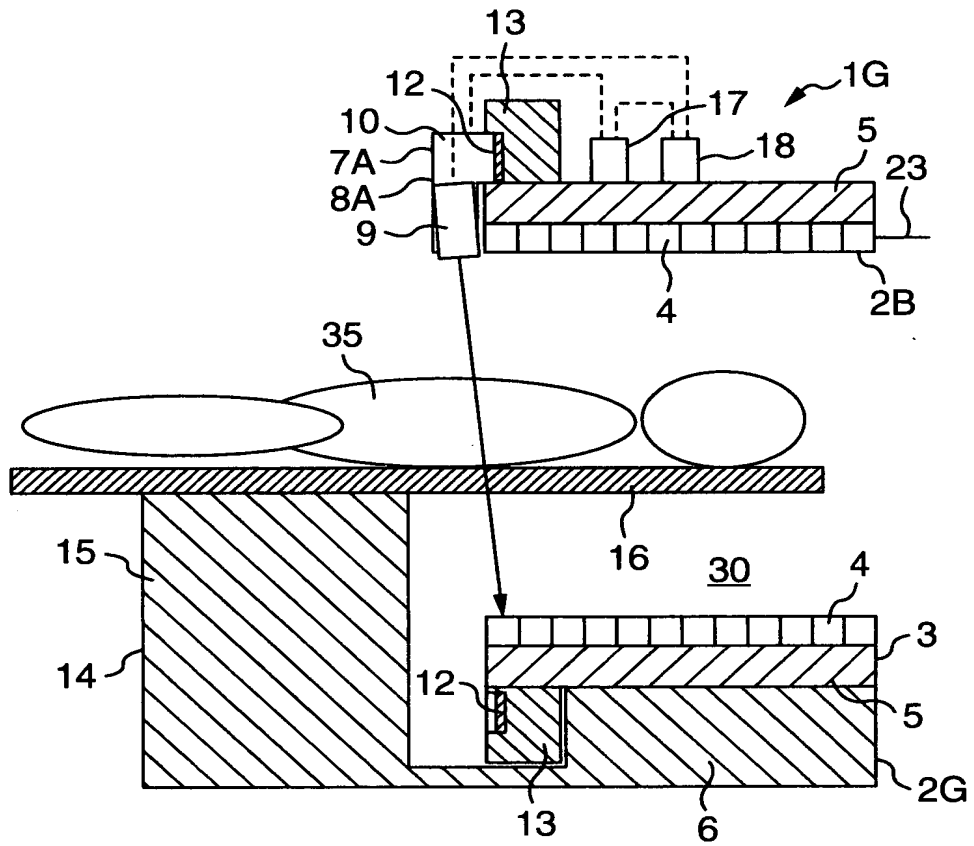


FIG. 21

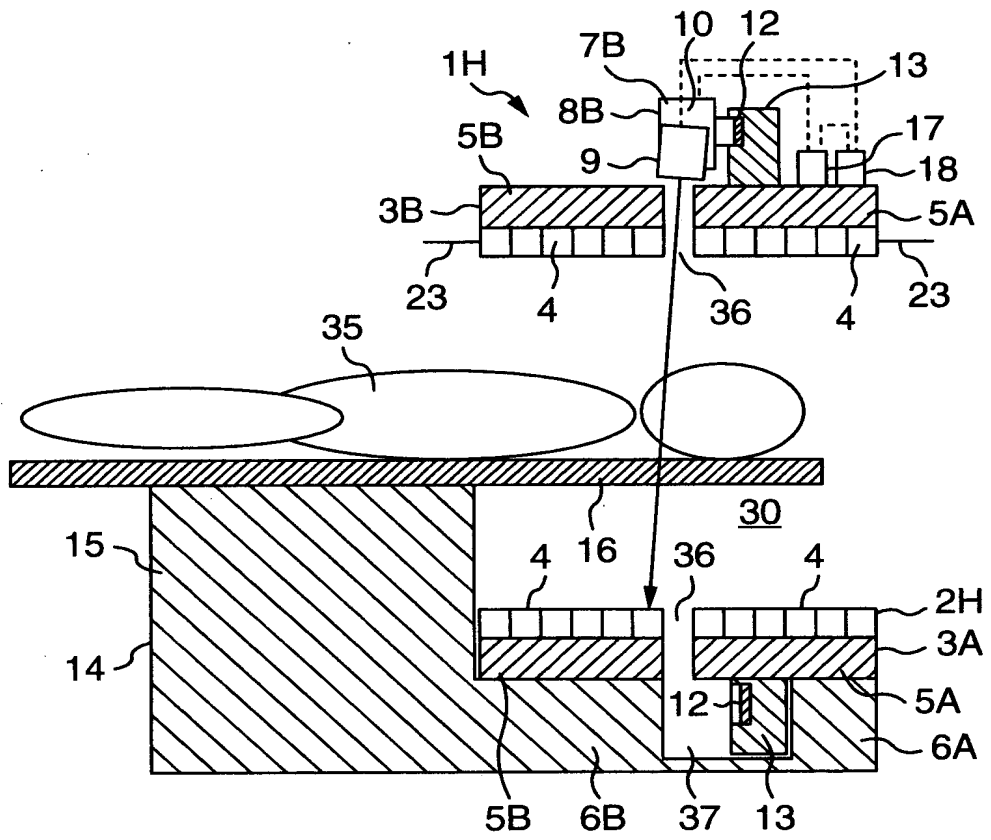


FIG. 22

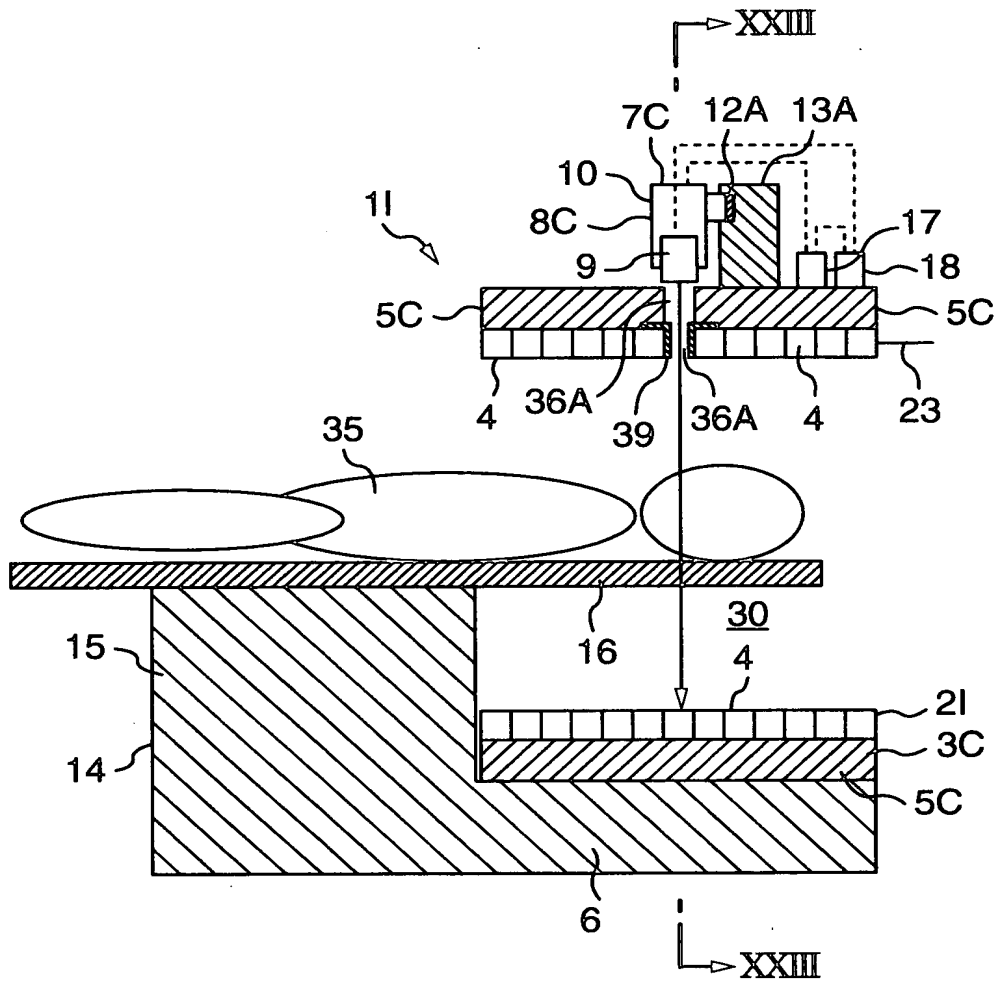


FIG. 23

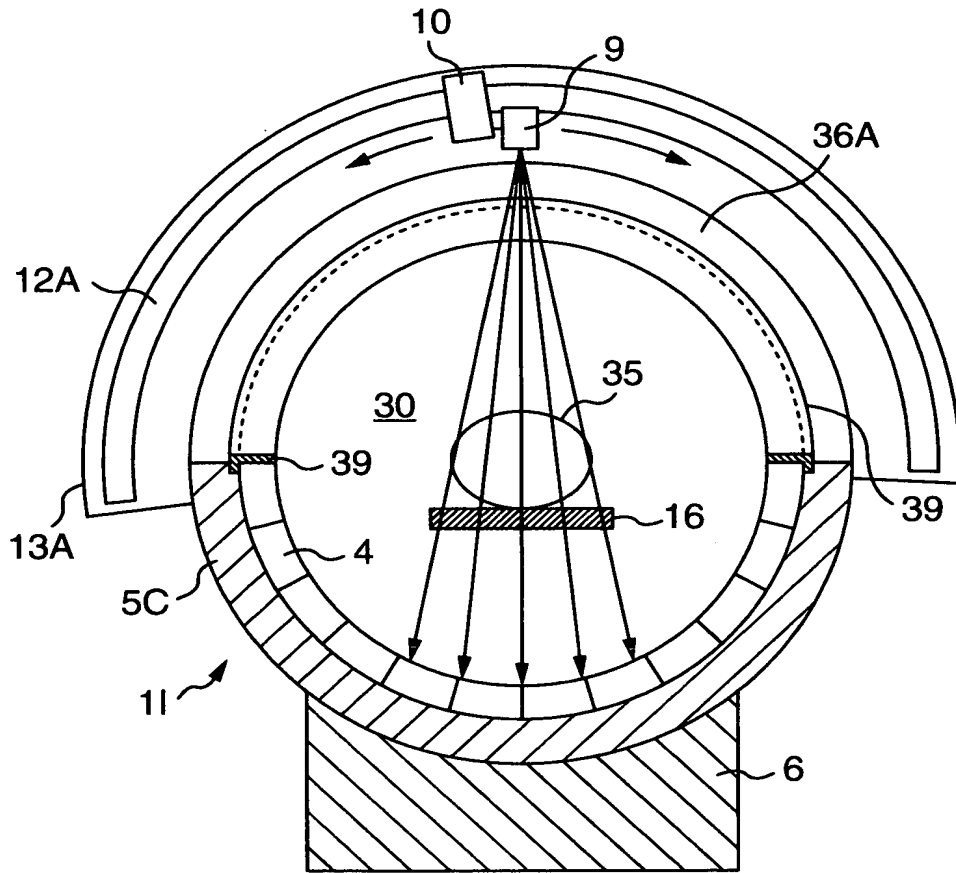


FIG. 24

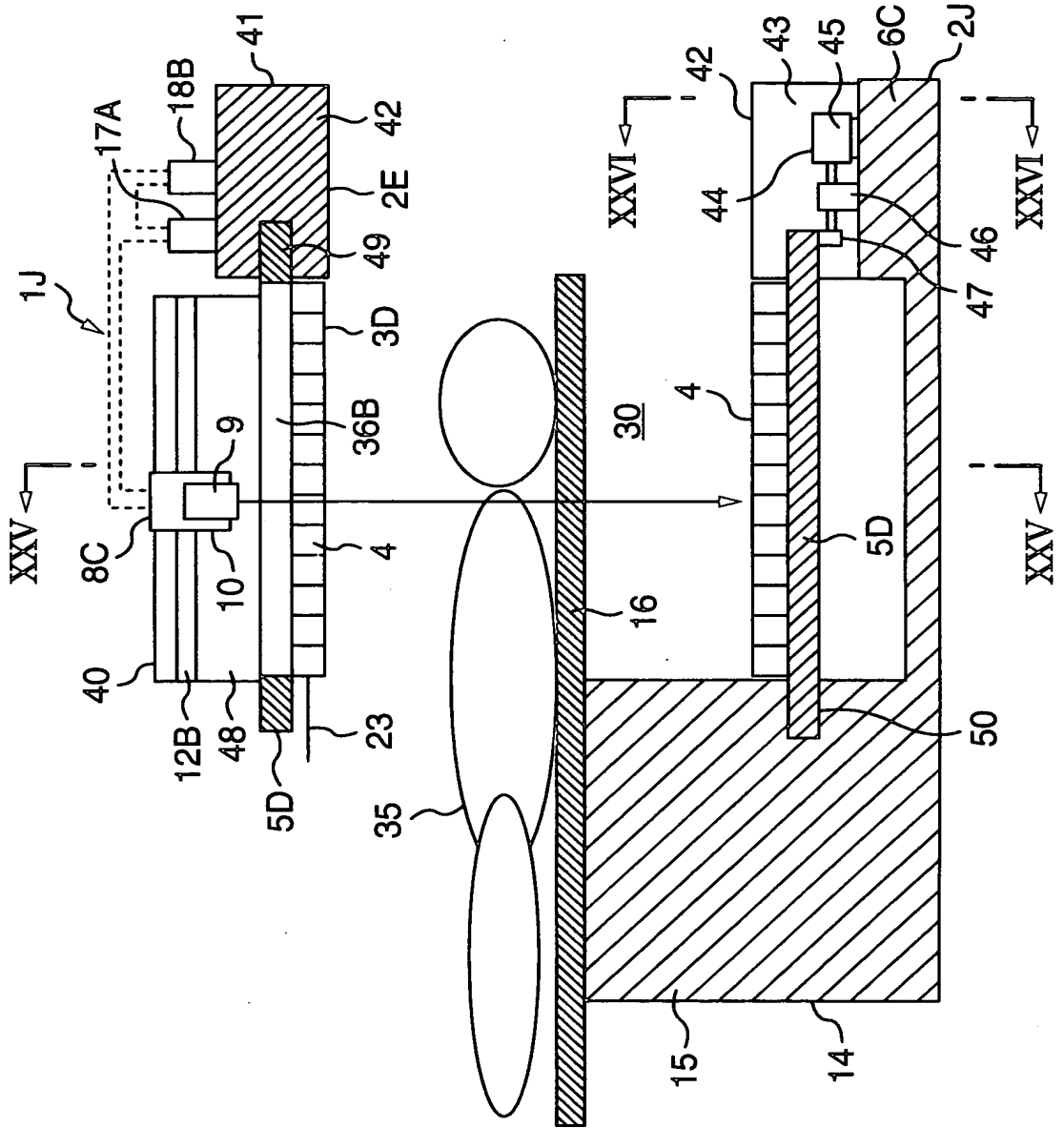


FIG. 25

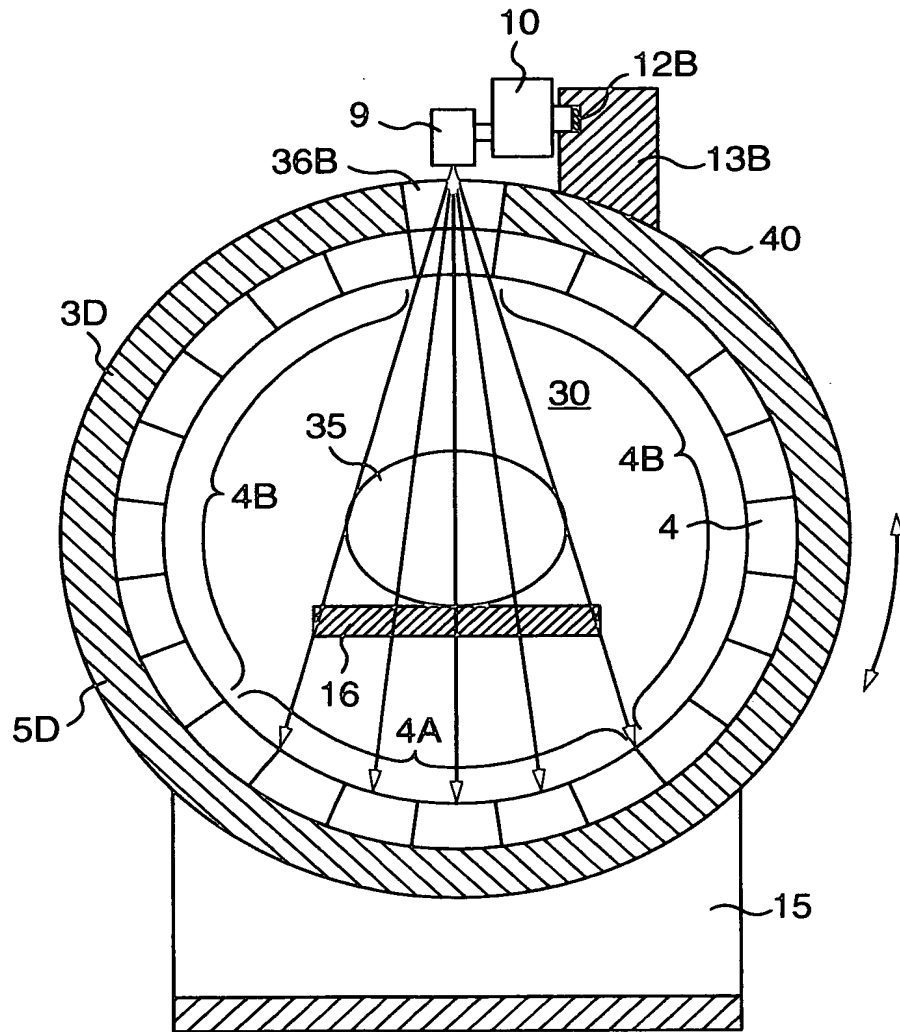


FIG. 26

